

REINER

Operating Instructions

880

Electronic stamp with flexible imprint selection



© **2004 Ernst Reiner GmbH & Co. KG**

All rights reserved. Translations, reprints, or any other form of reproduction of this manual, even in part and regardless of form, require prior written permission.

These operating instructions are subject to change without prior notice.

These operating instructions have been compiled with the utmost care and diligence, however we cannot assume any form of liability for errors or omissions or for damage resulting from them.

Safety instructions

- Reiner 880 complies with the relevant safety regulations for information technology equipment, including electric office machinery
- Unauthorised opening of the machine and improper repairs can cause considerable danger (fire hazard)

To avoid the danger of crushing, do not insert your finger between the baseplate and the print carriage.

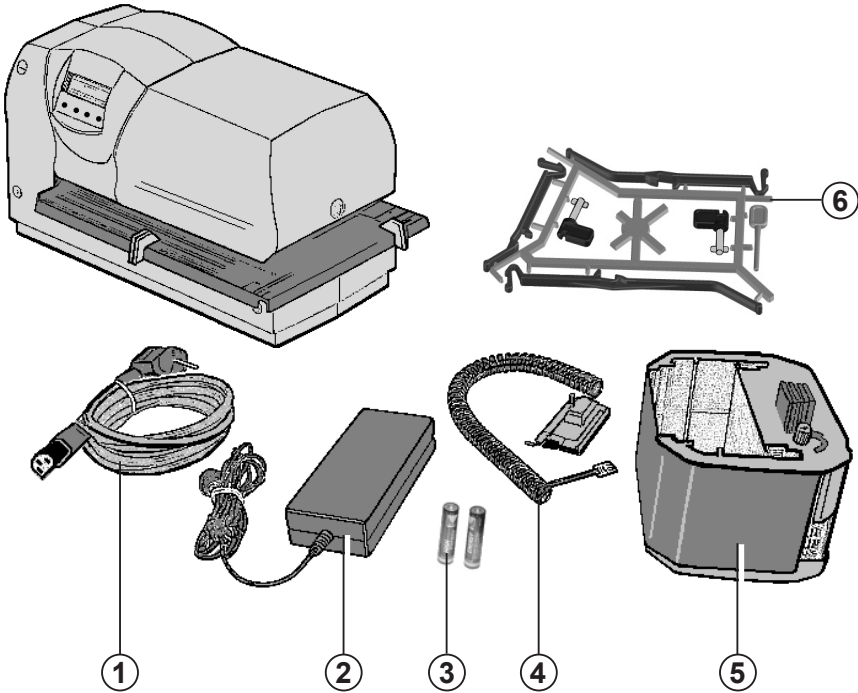
- Transport the machine only in its original package or other suitable package that provides protection against shock and impact
- If the machine is taken from a cold environment into a warm room, dew may form on it. Wait until the machine has warmed up to room temperature and is absolutely dry before starting to use it
- Make sure that the local mains voltage corresponds to the voltage stated on the mains unit
- Reiner 880 performs the radio noise limits of class A. In a living area may occur radio interferences. In this case from the user can be required to carry out adequate funds
- Ensure that the locally-installed mains socket with protective earth, which you use for the machine, is readily accessible at all times
- The machine has no ON / OFF switch; to disconnect it from the mains you must disconnect the mains unit from the mains socket
- Arrange the connection leads so that they do not create a hazard (danger of tripping) and cannot be damaged
- Take care that no objects (e.g. necklaces, paper clips, or liquids) fall into the machine - danger of electric shock and short circuit
- In an emergency, e.g. in the event of damage to the machine casing, control elements or the mains lead, or if an object or liquid falls into the machine, disconnect the mains unit from the mains socket and inform your sales agent or our Service Department.

Table of contents

Safety instructions	3
Accessories supplied	6
Control elements	7
Commissioning	8
Removing the cover	8
Removing the transport brace	8
Tensioning the ink ribbon	8
Inserting the ink-ribbon cassette	9
Fitting the batteries	9
Replacing the cover	9
Setting the paper stops	10
Mounting paper stop on the folding rail	10
Fitting and setting the depth-stop contact	11
Fitting the paper holder	12
Connecting the power supply	13
Printing	14
Introducing a print medium	15
Precautions when stamping	16
User level / Desktop	17
Menu overview	19
Description of the favourite list	20
Menu item: Imprint	21
Changing the imprint	21
Inverted ON / OFF	21
Changing centring	21
Stored imprints no. 00 - 06	22
no. 07 - 15	23
no. 16 - 23	24
no. 24 - 31	25
no. 32 - 40	26

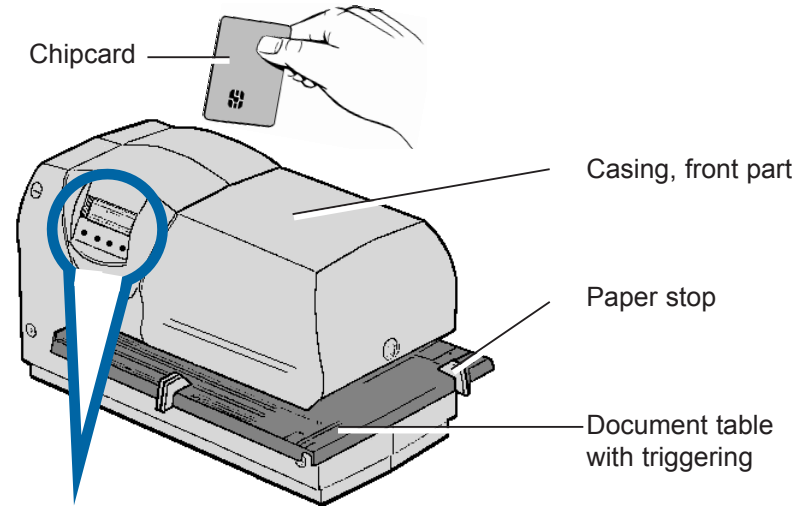
Menu item Date / Clock time	27
functional diagram	28
Menu item Numberer / Fixed number	29
Explanations for Numberer	30
Start value, Minimum value, Maximum value, Mode	30
Repetition factor, Pre zeros	31
Switch over of Numberer manually	32
functional diagram 1	33
functional diagram 2	34
Menu item Pre-Text / Chipcard text with functional diagram	35
Stored Pre - texts	36
Menu item Language with functional diagram	37
Menu item Settings	38
functional diagram	39
Chipcard functions	40
Key function, Operator identification on the chip card	41
Individual imprint on the chipcard	41
Changing the ink-ribbon cassette	42
Changing the printing plate	43
Safety lock of the printing plate	44
USB interface	46
Cleaning the machine	47
User's hints and error codes	48
Reset	50
Technical data	51
Certifications	52

Accessories supplied



- ① = Mains cable
- ② = Power supply
- ③ = 2 Batteries Type AAA
- ④ = Depth-stop contact
- ⑤ = Ink ribbon cassette
- ⑥ = Trip switch accessory set (Order No. 887 380 - 000)
comprising:
 - 2 Rails
 - 1 Reset pin
 - 1 Paper holder, short
 - 1 Paper holder, medium
 - 1 Paper holder, long

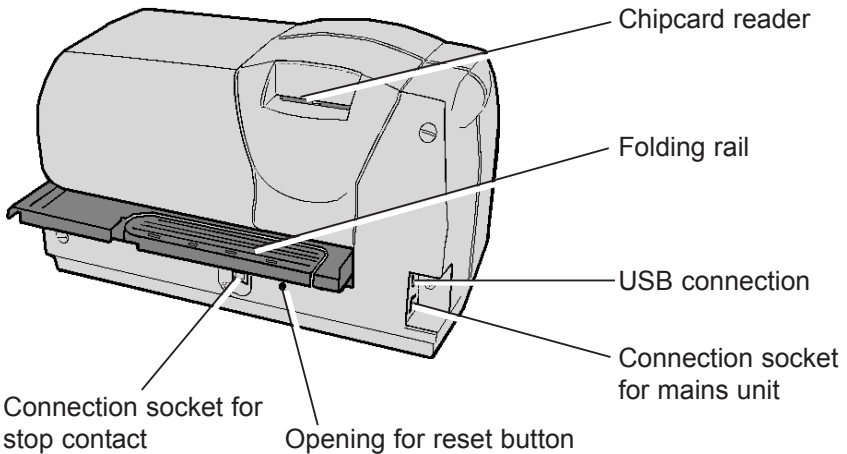
Control elements



Display



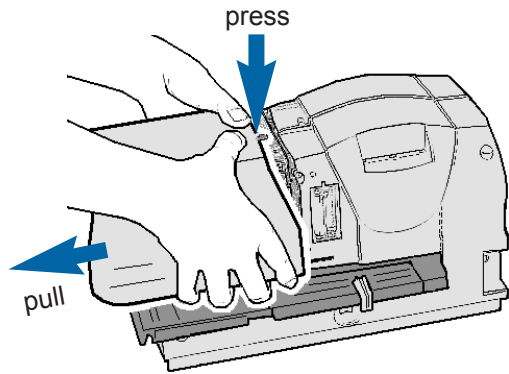
Buttons



Commissioning

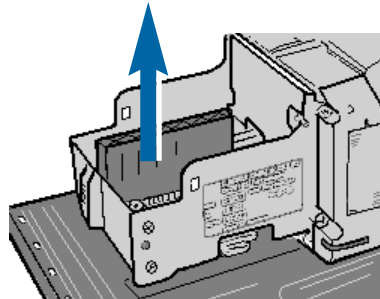
Removing the cover

- ▶ Grasp the front part of the casing with both hands and press down on the centre of it with both thumbs to unlatch it
- ▶ Draw the front part of the casing towards you and remove it



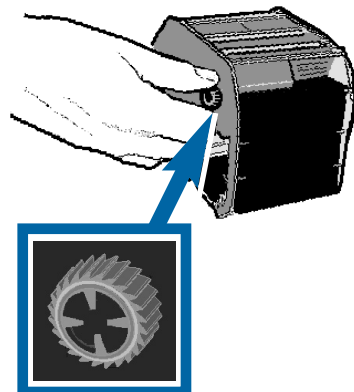
Removing the transport brace

- ▶ Remove the carton upwards



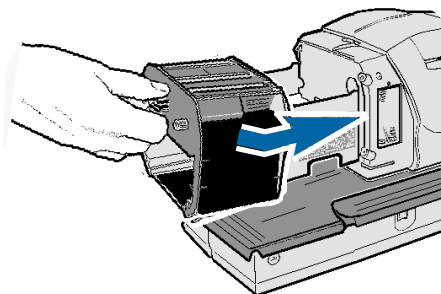
Tensioning the ink ribbon

- ▶ Turn the knurled knob about one turn in the direction of the arrow (anti-clockwise)



Inserting the ink - ribbon cassette

- ▶ Hold the ink-ribbon cassette by the ribbed grip tab, place it on the guide and push in the direction of the arrow until it reaches its stop



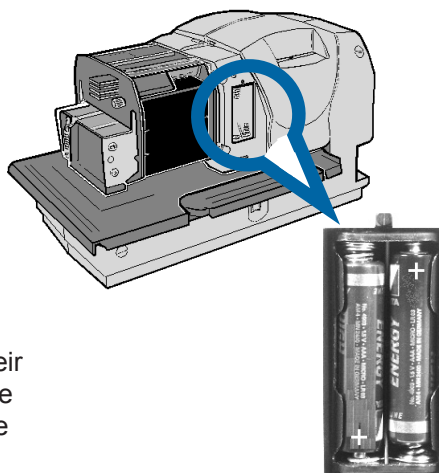
Inserting the batteries



Note

- The batteries (Type AAA) are required for the date and time memory

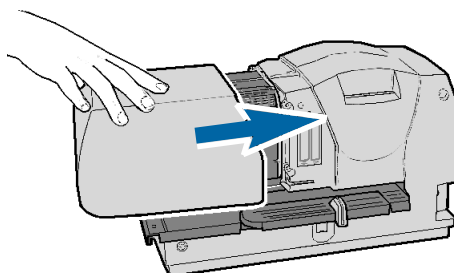
- Batterien gehören nicht in den Hausmüll.



- ▶ Place the batteries in their compartment, taking care that their poles are in the correct directions

Replacing the cover

- ▶ Put the cover in position and push it in the direction of the arrow until it latches

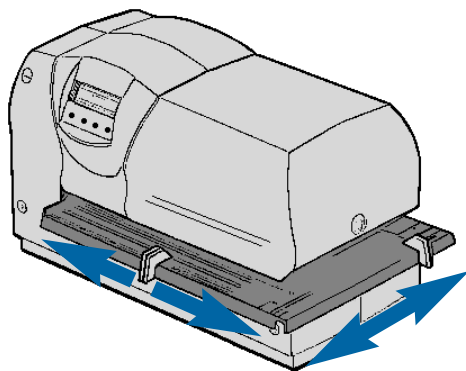


Setting the paper stops



Note

The purpose of the red paper stops is the accurate positioning of documents for printing. They can be freely - positioned on the document table.



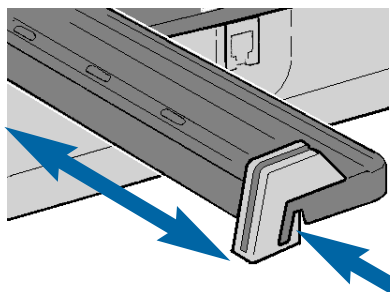
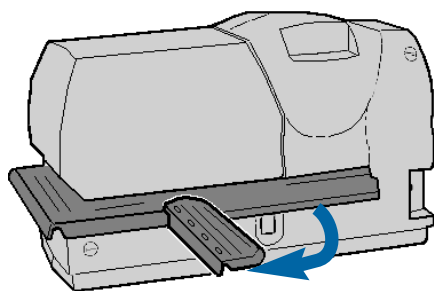
Mounting paper stop on the folding rail



Note

A paper stop can also be fitted to the folding rail. In this case, it serves to position the imprint vertically. The imprint is triggered by the document table.

- ▶ Unlatch the folding rail on the rear side of the document table and swing it outwards in the direction of the arrow
- ▶ Take a paper stop from the document table, fit it to the folding rail, and adjust it as required



Fitting and setting of the trip switch

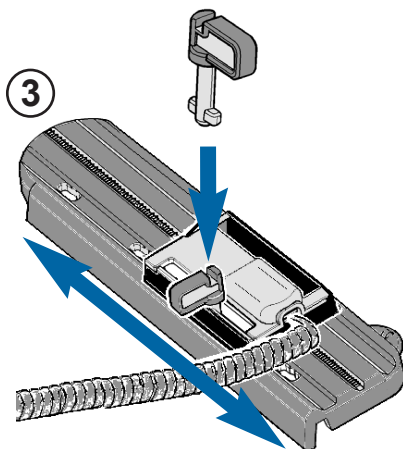
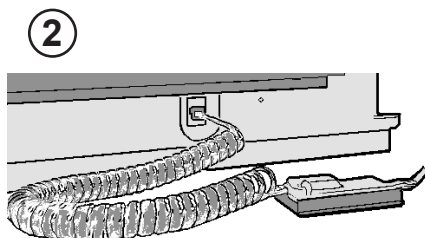
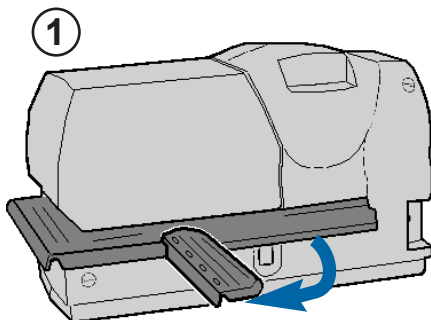


Note

Using the depth-stop contact, printing is triggered when a piece of paper is pushed in.

(see 'Menu / Trigger' pages 38 and 39)

- ▶ Unlatch the folding rail on the rear side of the document table and swing it outwards in the direction of the arrow (see figure 1).
- ▶ Plug the lead of the trip switch into the socket provided (see figure 2).
- ▶ Fix the trip switch to the folding rail by pushing its fastener into an opening in the folding rail and turning it 90° to lock it (see figure 3)



Fitting a paper holder



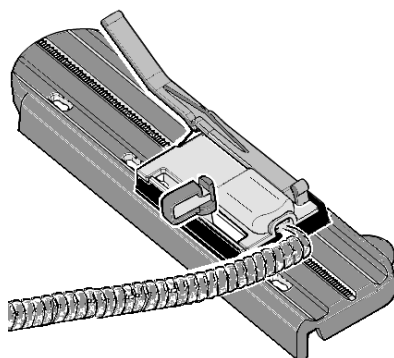
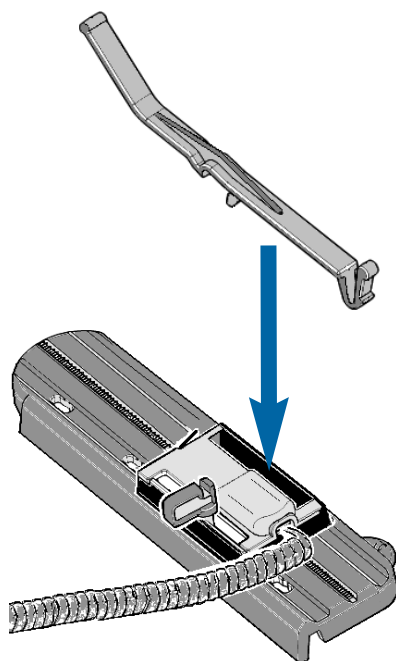
Note

Fitting a paper holder to the depth-stop contact makes it easier to feed paper into the machine.

There are three different lengths of paper holder (short, medium and long) to choose from.

The best length depends on the distance from the depth-stop contact to the casing. The distance from the paper holder to the casing should be kept as small as possible to make it easier to guide documents.

- ▶ Select the desired paper holder from the *Depth - stop contact accessory set* (see page 6)
- ▶ Fit the paper holder to the mounting on the depth - stop contact and lock it in place



Connecting the power supply



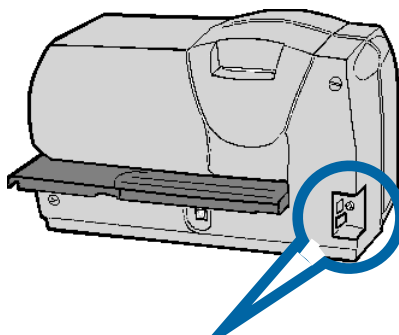
Note

The power supply socket is located at the rear of the machine

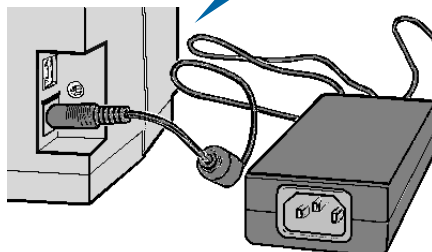


Warning

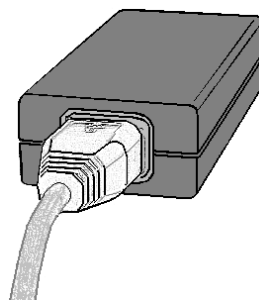
Follow the directions of sequence of connection!
Do not plug in the power supply in live wire!



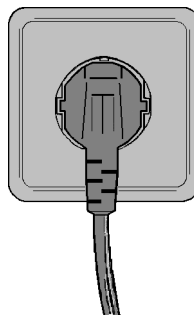
- ▶ Connect the plug of the power supply at the lower round socket on the machine



- ▶ Connect the equipment plug of the mains cable to the power supply



- ▶ Plug the mains cable into a convenient mains socket



The machine is now ready for use.
The display will show a pre-selected imprint.



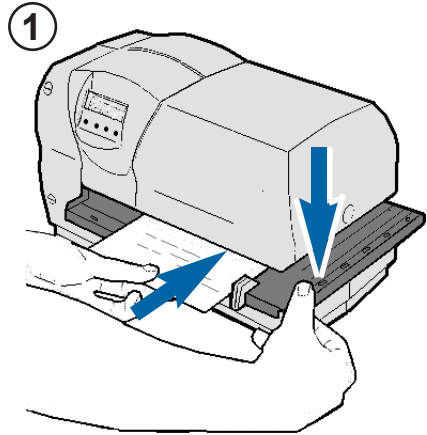
Note

There are three different ways of triggering printing.

The mode required must be selected using the menu (see page 38 'Setting / Trigger').

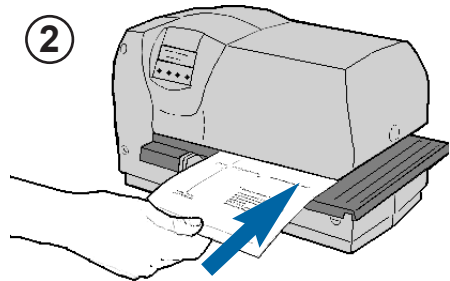
① Triggering by document table only:

- ▶ Put in the print medium to the required position (for example to a stop)
- ▶ Press down the document table



② Triggering by depth-stop contact only :

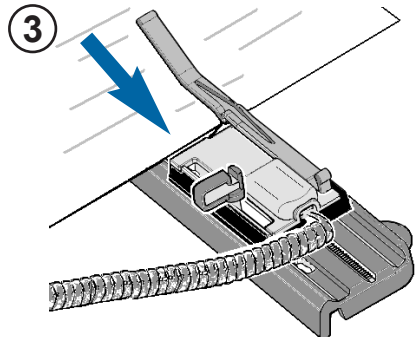
- ▶ Push the print medium in until printing is automatically triggered



① Triggering by either document table or depth-stop contact

②

③



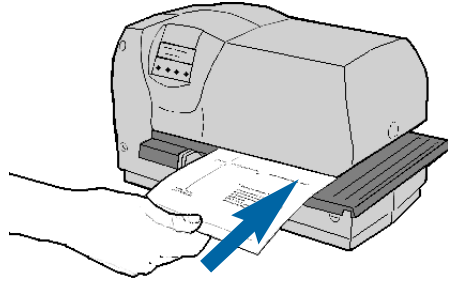
Insert a print medium



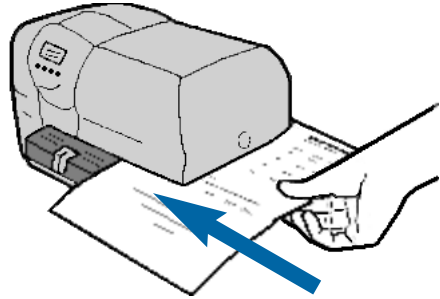
Note

The different ways of introducing print media enable an imprint to be positioned almost anywhere on a form.

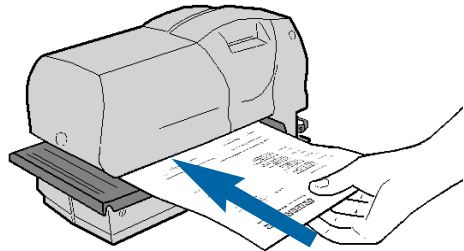
Print medium inserted from the front



Print medium inserted from the side



Print medium inserted from the rear



Precautions when stamping

Pay attention to the following precautions:

REINER
numeriert, datiert, codiert
Elektrostempelgeräte
für Belegstapel bis 2,5 mm
TYP 880
Druckrolle für Textplatte
plus Nadeldrucker
Textplatte 62X40 mm, bis zu 3 Durchschläge

123456 24.09.07 08:45

Don't stamp at staples !

Stamping at staples may cause damages at the printing plate or at the 9 - pin dot matrix print head. By this means that the imprint may be incomplete.

REINER
numeriert, datiert, codiert
Elektrostempelgeräte
für Belegstapel bis 2,5 mm
TYP 880
Druckrolle für Textplatte
plus Nadeldrucker
Textplatte 62X40 mm, bis zu 3 Durchschläge

123456 24.09.07 08:45

Don't stamp at paper clips !

Stamping at staples may cause damages at the printing plate or at the 9 - pin dot matrix print head. By this means that the imprint may be incomplete.

Don't stamp at perforation !

By stamping at perforations the imprint at papers may be incomplete.

User level / Desktop

Ready to print

- [OFF] = Switch off the device
(keep the key pressed for min. 3 seconds after that occurs the standby mode)
- [ON] = Switch on
- [MENU] = select menu
- [◀] [▶] = moves preceding or following function

Favourite (Description see next side)

Display of clock time

Display of date

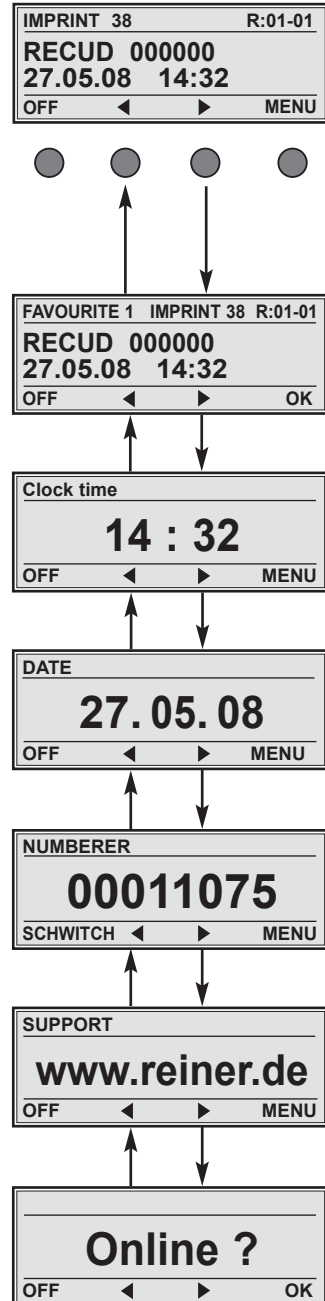
Numberer

- [SWITCH] = manual switch over of the Numberer

Internet Homepage

For service purposes, update and REINER Click&Stamp

- [OK] = activates Online connection

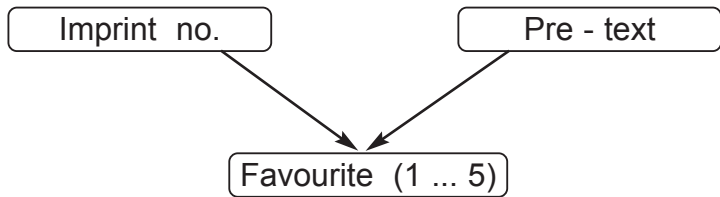


Description of the favourites list



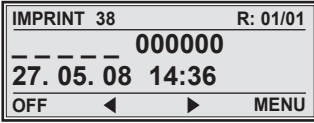
Note

- The favourites list contains five imprints
- The lastly activated imprint will be stored automatically in the favourites list as FAVOURITE 1 . By this means the previous FAVOURITE 5 is signed over.
- The content of the favourites list is any alterable.
Example: Any imprint can be assigned to different Pre - texts.

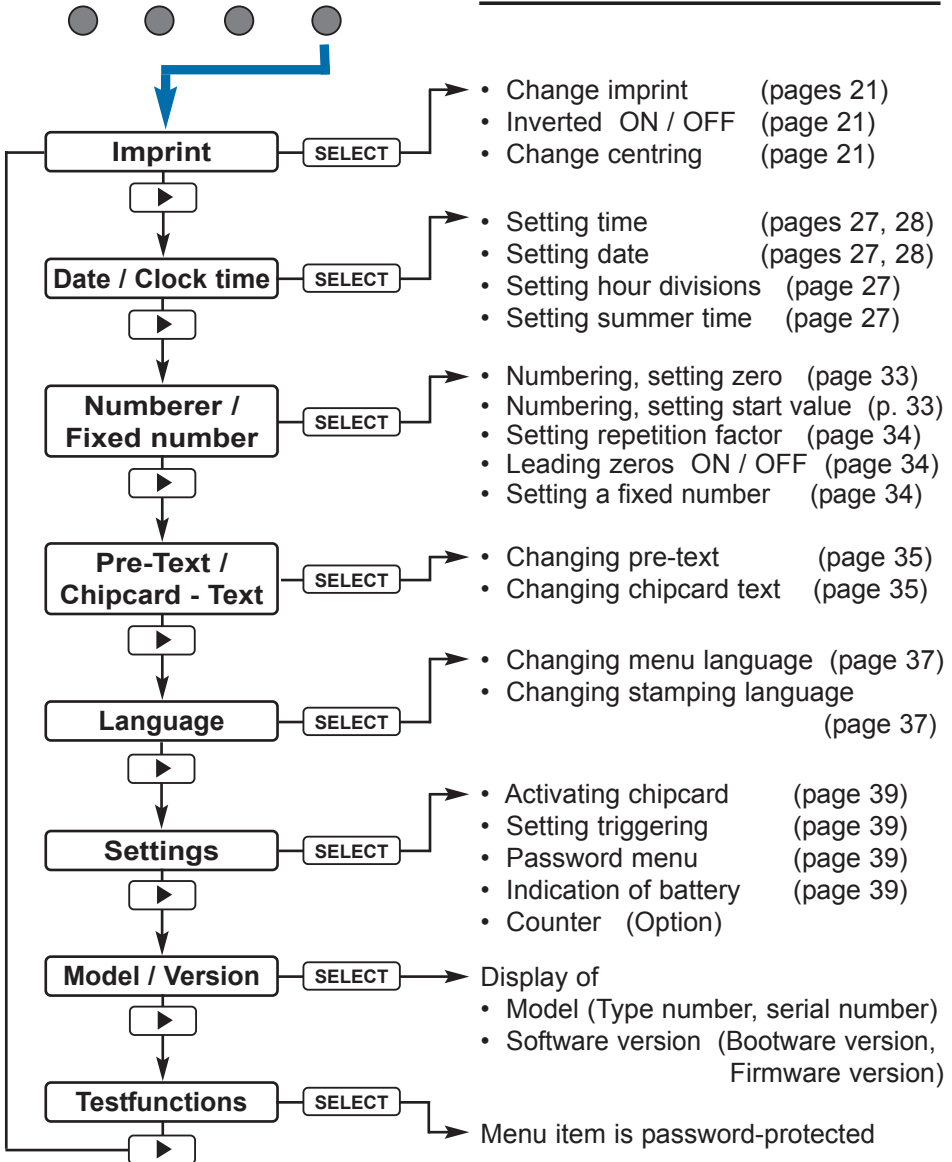


- Key functions:
 - [◀] [▶] = Selection of the previous or following favourite
 - [OK] = Selected favourite will be activated as actual imprint

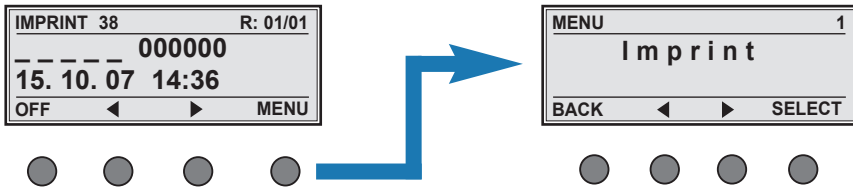
Menu overview



Menu selection: Press [**MENU**] button, the display will show 'Imprint'



Description of the key functions in the menu



[SELECT]

- Selection of a displayed menu item
- Selection of a displayed status
 - An actually set status will be displayed flashing

[◀] or [▶]

- displays the previous or following menu item
- angewählten Status aufsteigend oder abfallend einstellen
- Zahlenwerte aufsteigend oder abfallend einstellen

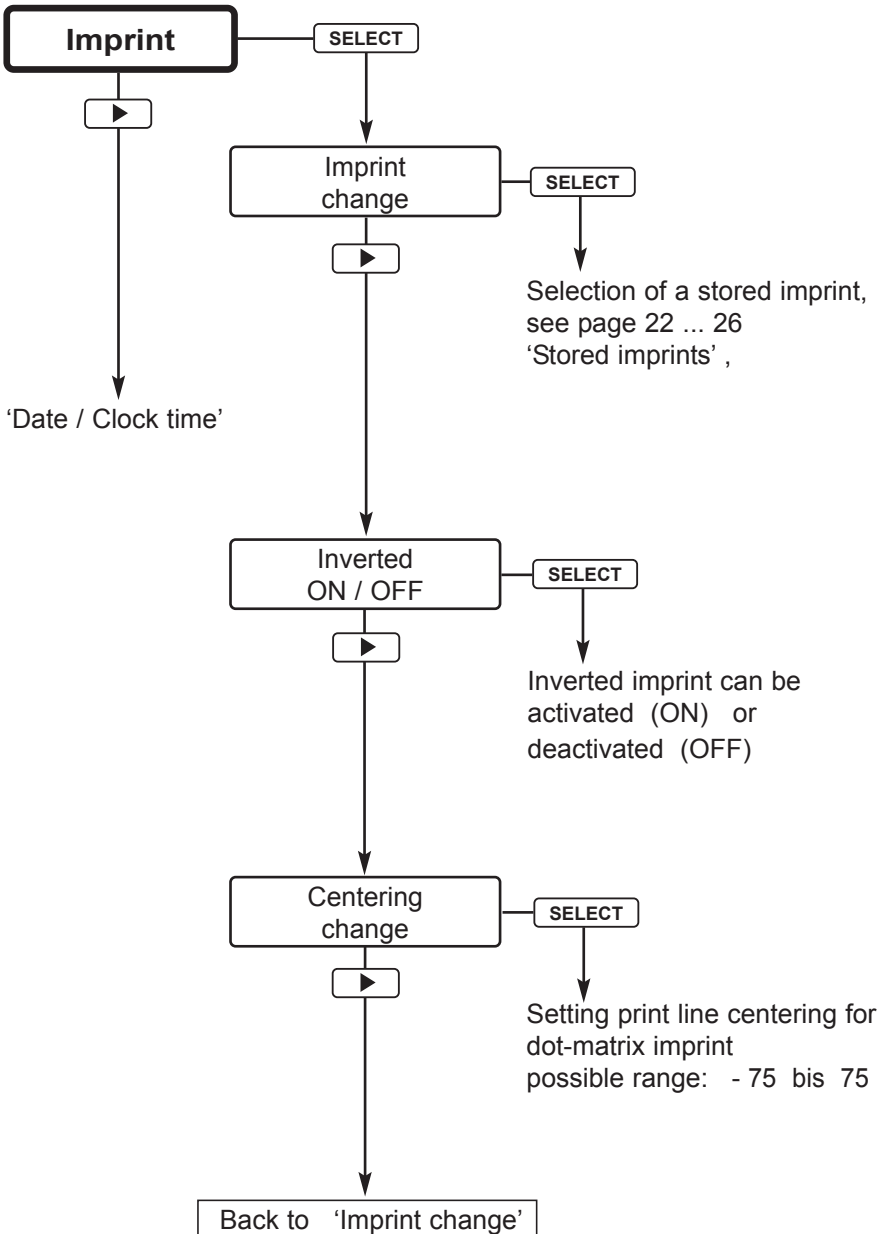
[OK]

- eingestellter Status wird übernommen und gespeichert
- eingestellter Zahlenwert wird übernommen und gespeichert

[BACK]

- Return to the previous menu item
Taste ggf. wiederholt drücken, um das Menü oder eine Einstellung zu verlassen. Am Display wird dann wieder das aktuelle Stempelbild angezeigt und 880 ist wieder druckbereit.

Menu item Imprint



Stored Imprints



Note

Imprints to which a pre-text can be added are shown below with an example of a pre-text. The pre-texts and the names of the months depend on the language selected (see page 37).

	No.	Imprints	Operator identification possible
Date stamp	00	<i>Imprint can only be read from a chip card</i>	yes
	01	27. MAY 2008 RECVD 27. MAY 2008 (Example with pre-text)	yes yes
	02	27. 05. 2008 SENT 27. 05. 2008 (Example with pre-text)	yes yes
	03	2008 - 05 - 27 FILE 2008 - 05 - 27 (Example with pre-text)	yes yes
	04	MAY 27 2008 INV. MAY 27 2008 (Example with pre-text)	yes yes
	05	2008 001 ORDER 2008 001 (Example with pre-text)	yes yes
	06	27. MAY 2008 PAID 27. MAY 2008 (Example with pre-text)	yes yes

	No.	Imprint	Operator identification possible
	07	free	
Numbering	08	12345678 RECVD 12345678 (Example with pre-text)	yes yes
	09	12345678 SENT 12345678 (Example with pre-text)	yes yes
	10	12345678 FILE 12345678 (Example with pre-text)	yes yes
	11	123456789012 INV. 123456789012 (Example with pre-text)	yes yes
Fixed number	12	123456789012 INV. 123456789012 (Example with pre-text)	yes yes
	13	123456789012 ORDER 123456789012 (Example with pre-text)	yes yes
Numbering with date right	14	12345678 19. MAY 08 INV. 12345678 19. MAY 08 (Example with pre-text)	yes no
	15	12345678 19. 05. 08 PAID 12345678 19. 05. 08 (Example with pre-text)	yes no

Numbering with date right	No.	Imprint	Operator identification possible
	16	12345678 08 - 05 - 14	yes
	RECVD 12345678 08 - 05 - 14 (Example with pre-text)	no	
17	12345678 MAY 14 08	yes	
	SENT 12345678 MAY 14 08 (Example with pre-text)	no	
18	12345678 2008 001	yes	
	FILE 12345678 2008 001 (Example with pre-text)	no	
19	12345678 14. MAY 2008	yes	
	INV. 12345678 14. MAY 2008 (Example with pre-text)	no	
Numbering with date left	20	14. MAY 08 12345678	yes
		ORDER 14. MAY 08 12345678 (Example with pre-text)	no
	21	14. 05. 08 12345678	yes
		ENT. D 14. 05. 08 12345678 (Example with pre-text)	no
	22	08 - 05 - 14 12345678	yes
	PAID 08 - 05 - 14 12345678 (Example with pre-text)	no	
23	MAY 14 08 12345678	yes	
	FAX MAY 14 08 12345678 (Example with pre-text)	no	

	No.	Imprint	Operator identification possible
Numbering with date left	24	2008 001 12345678	yes
		RECVD 2008 001 12345678 (Example with pre-text)	no
	25	15. MAY 2008 12345678	yes
		FAX 15. MAY 2008 12345678 (Example with pre-text)	no
Date / Time stamp	26	15. MAY 2008 08:45	yes
		ORIG 15. MAY 2008 08:45 (Example with pre-text)	no
	27	15. 05. 2008 08:45	yes
		FAX 15. 05. 2008 08:45 (Example with pre-text)	Yes
	28	2008 - 05 - 15 08:45	yes
		SENT 2008 - 05 - 15 08:45 (Example with pre-text)	yes
	29	MAY 15 2008 08:45	yes
		RECVD MAY 15 2008 08:45 (Example with pre-text)	no
	30	2008 001 08:45	yes
		INV. 2008 001 08:45 (Example with pre-text)	yes
	31	MAY 15 2008 AM 08:45	yes
		FAX MAY 15 2008 AM 08:45 (Example with pre-text)	no

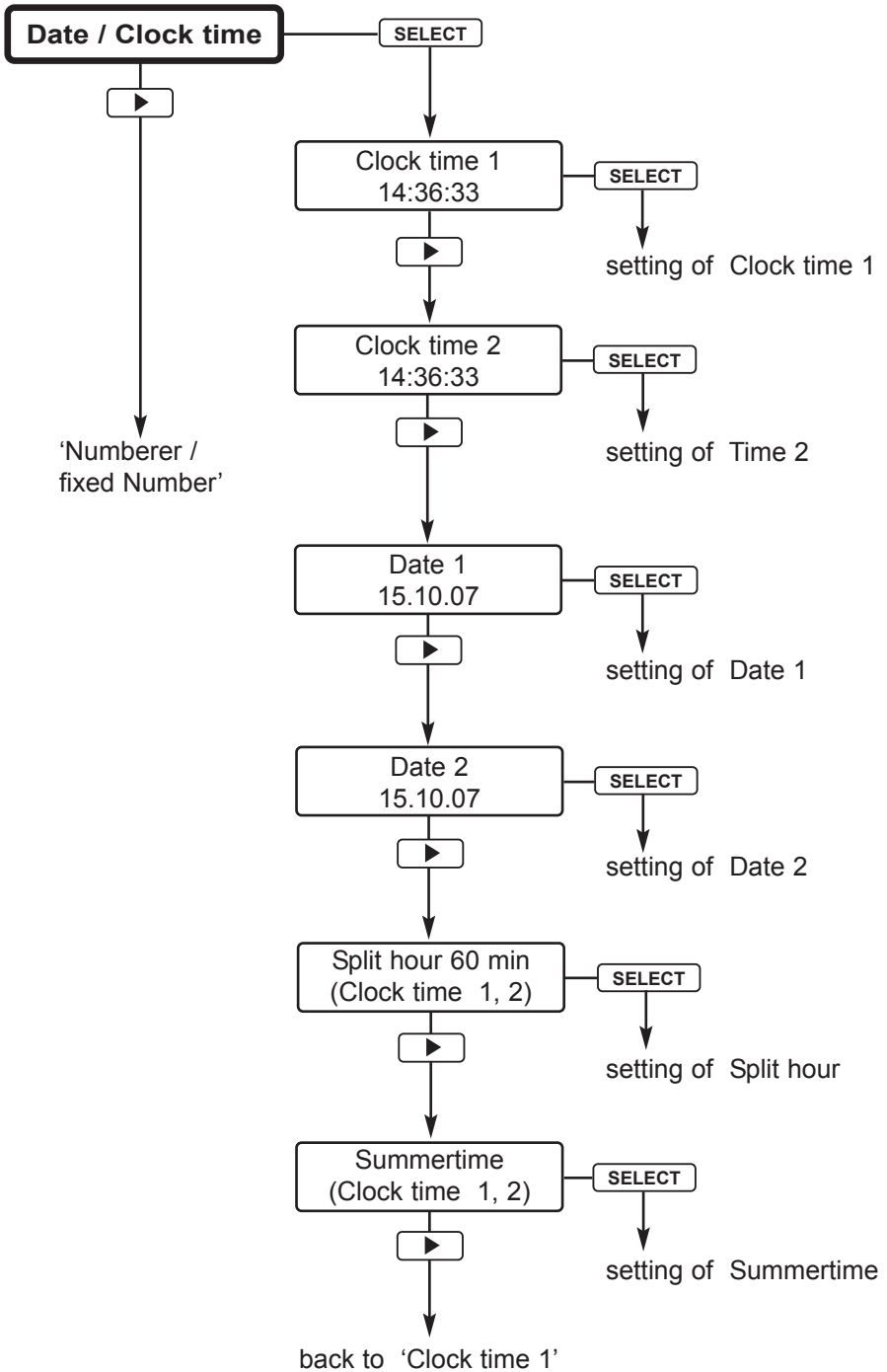
Time stamp with number and date	No.	Imprint	Operator identification possible	
		32	free	
		33	123456 15. MAY 2008 08:45 (No pre-text possible)	no
		34	123456 15. 05. 2008 08:45 (No pre-text possible)	no
		35	123456 2008 - 05 - 15 08:45 (No pre-text possible)	no
		36	123456 MAY 15 08 08:45 (No pre-text possible)	no
		37	000000 2008 001 08:45 (No pre-text possible)	yes
		38	123456 15. 05. 08 08:45 RECVD 123456 15. 05. 08 08:45 (Example with pre-text)	yes
		39	123456 MAY 15 08 AM 08:45 (No pre-text possible)	no
		40	no dot matrix imprint (only stamp plate)	

Menu item Date / Clock time



Note

- **Clock time 1 and Date 1** will be used for the stored imprints as well as can be used with chip cards
- **Clock time 2 and Date 2** will be used for the imprints stored on the chip card. They can be used e. g. for periods observations, follow-up of orders or expiration dates
Example:
Actual time (time 1 and date 1):
11:45 15. 01. 07
Expiration date (clock time 2 and date 2): 11:45 15. 06. 07
- **Setting of Clock time and date** Hours, minutes and seconds will be displayed one after another. The sequence of the date entry day / month / year can be different, it depends on the used imprint
- **Setting of Split hour** The setting of this menu item applies to Time 1 and Time 2
h/60 = division 60 minutes per hour
h/100 = division 100 minutes per hour
- **Setting of Summer time** The setting chosen for this menu item applies to Time 1 and Time 2
Available are European - American and no Summer time



Menu item Numberer / Fixed number



Note

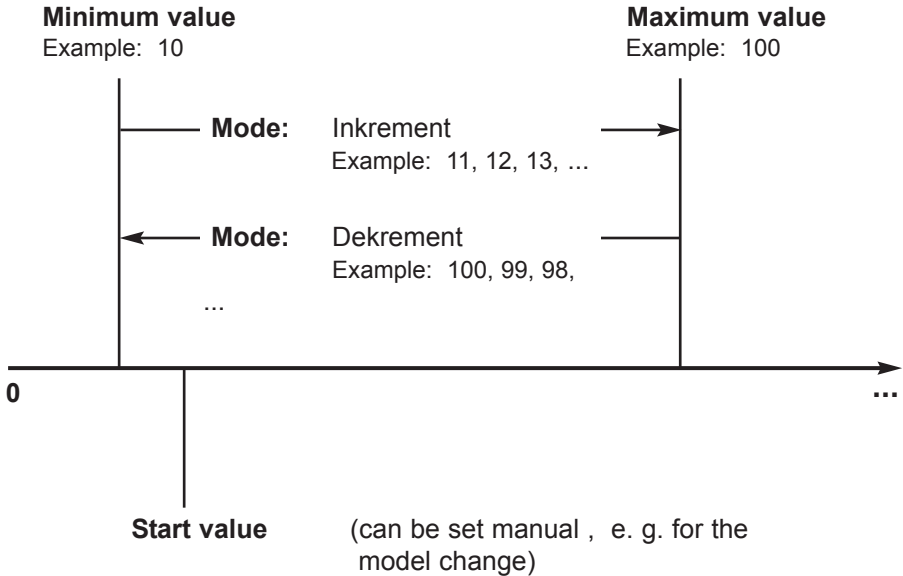
- **Numberer 1** six digit or eight digit (depending on the imprint selected), is used for imprint stored in the machine
- **Numberer 2** is used for imprints stored on a chip card
- **Mode Numberer** is used for upward printing from the Minimum value to the Maximum value or
it is used for declining printing from the Maximum value to the Minimum value.
Inkrement = upward printing
Dekrement = backward printing
- **Numberer, manual** Numberer 1 and Numberer 2 can be switched on manually by keypress (see also page 17, 'Desktop')
- **Fixed number** Menu items are used for setting a fixed number, which does not advance with every print operation.

Fixed number 1 is used for imprints no. 11, 12 and 13 stored in the machine.

Fixed number 2 is used for imprints stored on a chipcard.

Explanations for Numberer

Start value, Minimum value, Maximum value, Mode



The Start value must be more or equal to the minimum value!

Step

The value of Step is adjustable from 0 to 99 .
Documents can be printed within the set increment.

Print example Step 10: 0010, 0020, 0030, ... and so on

Repetition factor

The Repetition factor is used to print several documents with the same number.

The factory setting is 1, this means the Numberer switches over with each print. By setting the value to 2, the Numberer switches over with every second print.

The Repetition factor is adjustable from 0 to 99.

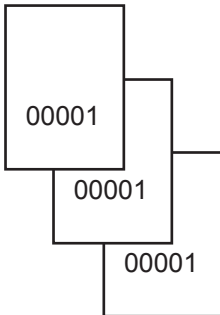
Setting 0 disables the switch over of the Numberer.



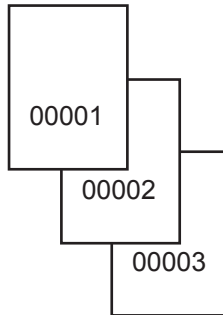
Note

To print a different number of documents with the same printout, it is recommended to use the manual adjustable Numberer.

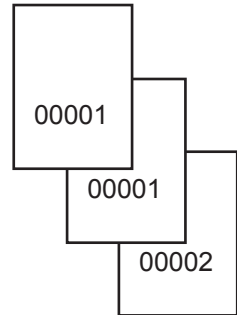
Repetition factor 0



Repetition factor 1



Repetition factor 2



Pre zeros ON / OFF

This function serves as a better readability of lower numbers.

With the setting 'Pre zeros OFF' the print line will be extended.

Example:

Pre zeros ON: 0001, 0099, 0999, 9999

Pre zeros OFF: 1, 99, 999 9999

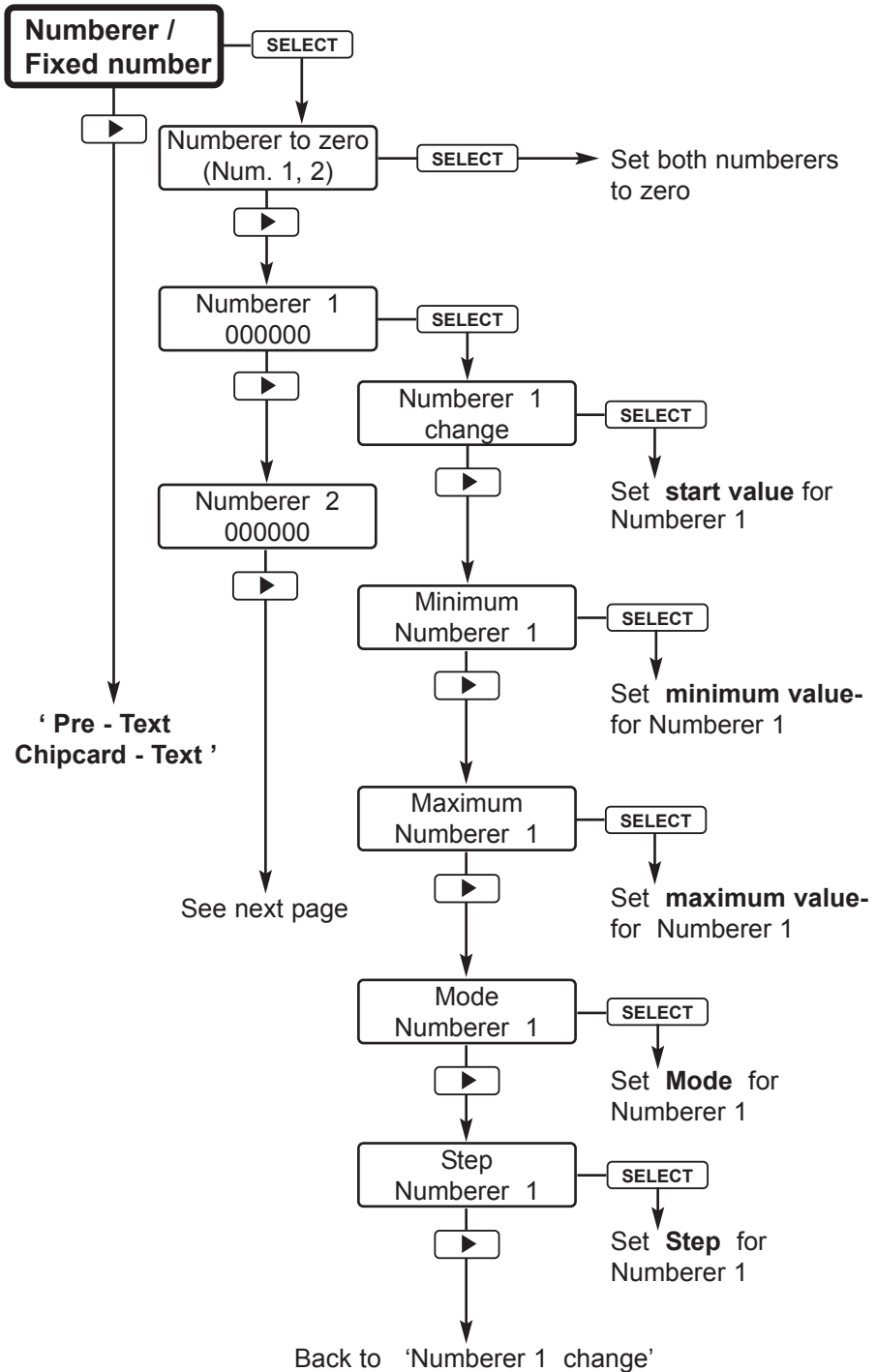
Switch over of Numberer manually

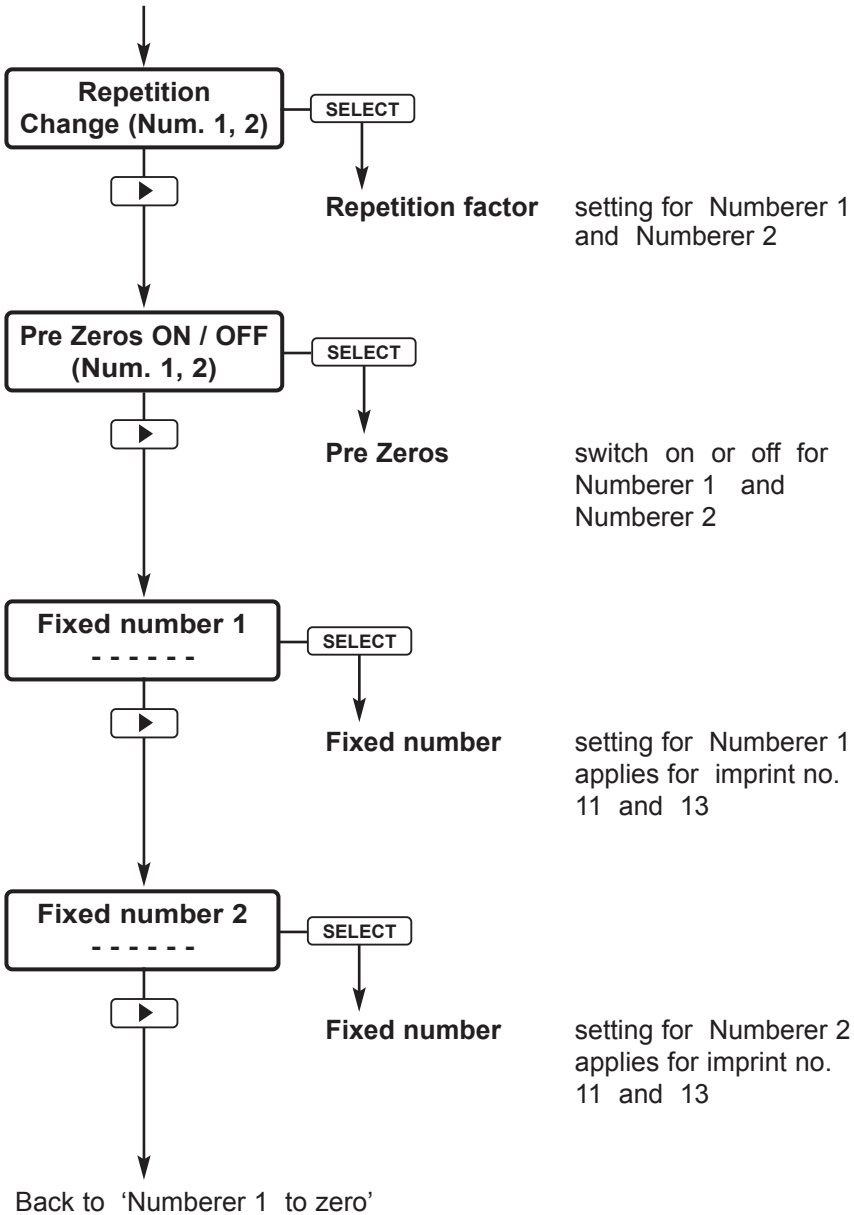
The Numberer can be quickly and simply switched over by using the menu item 'Numberer' at 'User level / Desktop' (see page 17, 'User level / Desktop')



Note

For an exclusive manually switch over of the Numberer the 'Repetition factor' is to be set to '0'





Menu item Pre-Text / Chipcard - Text



Note

Pre-Texts

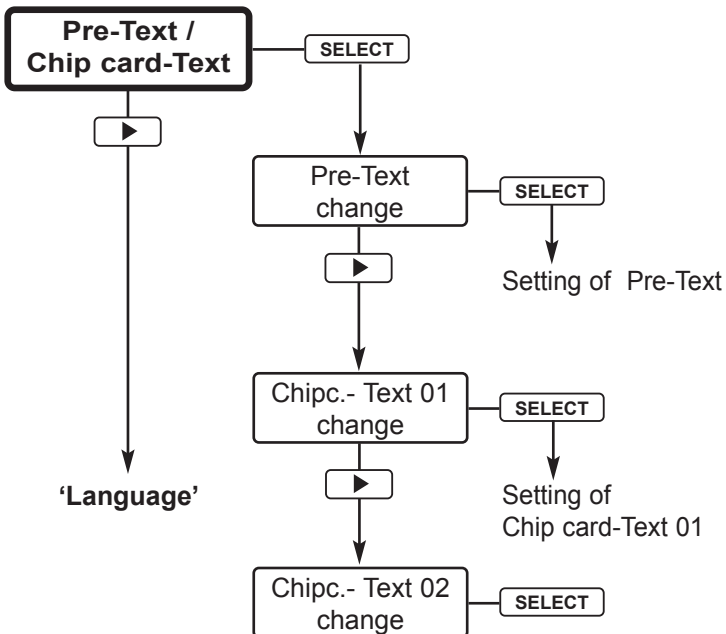
- These cannot be used with all imprints (see also pages 22 ... 26, 'Stored imprints')
- 12 stored pre-texts, each with a maximum of five characters, are available in each language
- The selection of - - - - - means, that the Pre-Text is switched off



Note

Chipcard texts

- Menu item can only be selected if the chip card has previously been activated (see page 38, 'Settings'). In addition, Imprint No. 00 must be selected. Following insert the chip card with changeable texts into the chip card reader
- A maximum of 12 texts can be stored on a chip card



Stored Pre-Texts:

RECUD

SENT

FILE

INV.

ORDER

ENT. D

DRAFT

PAID

RECPT

FAX

ORIG

REG. D.

----- = no Pre-Text

Menu item Language



Note

Language Menu

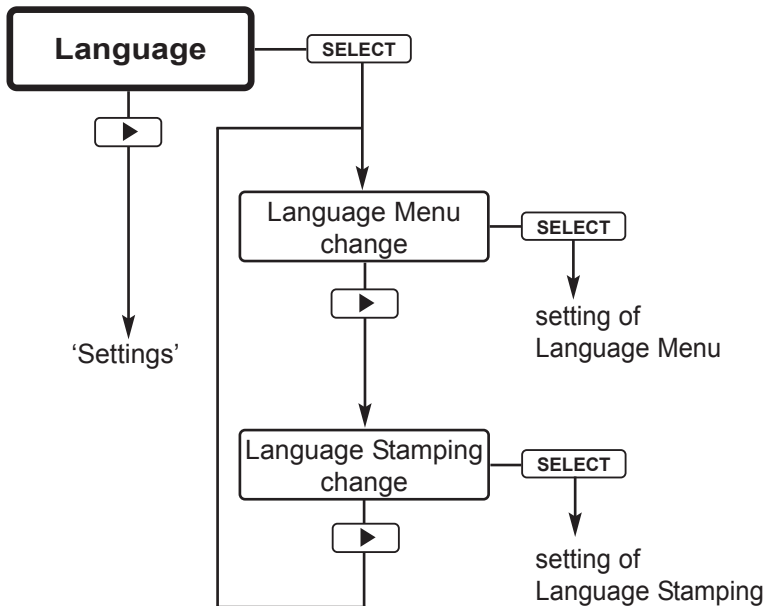
- Presentation of the menu in the languages
- The following languages are available: German, French, English, Italian, Spanisch, Portuguese



Note

Language Stamping

- Linguistic presentation of the dot-matrix imprints
- There are 17 languages available
- Linguistic presentation is restricted to the pre-texts of the imprints and the names of the months



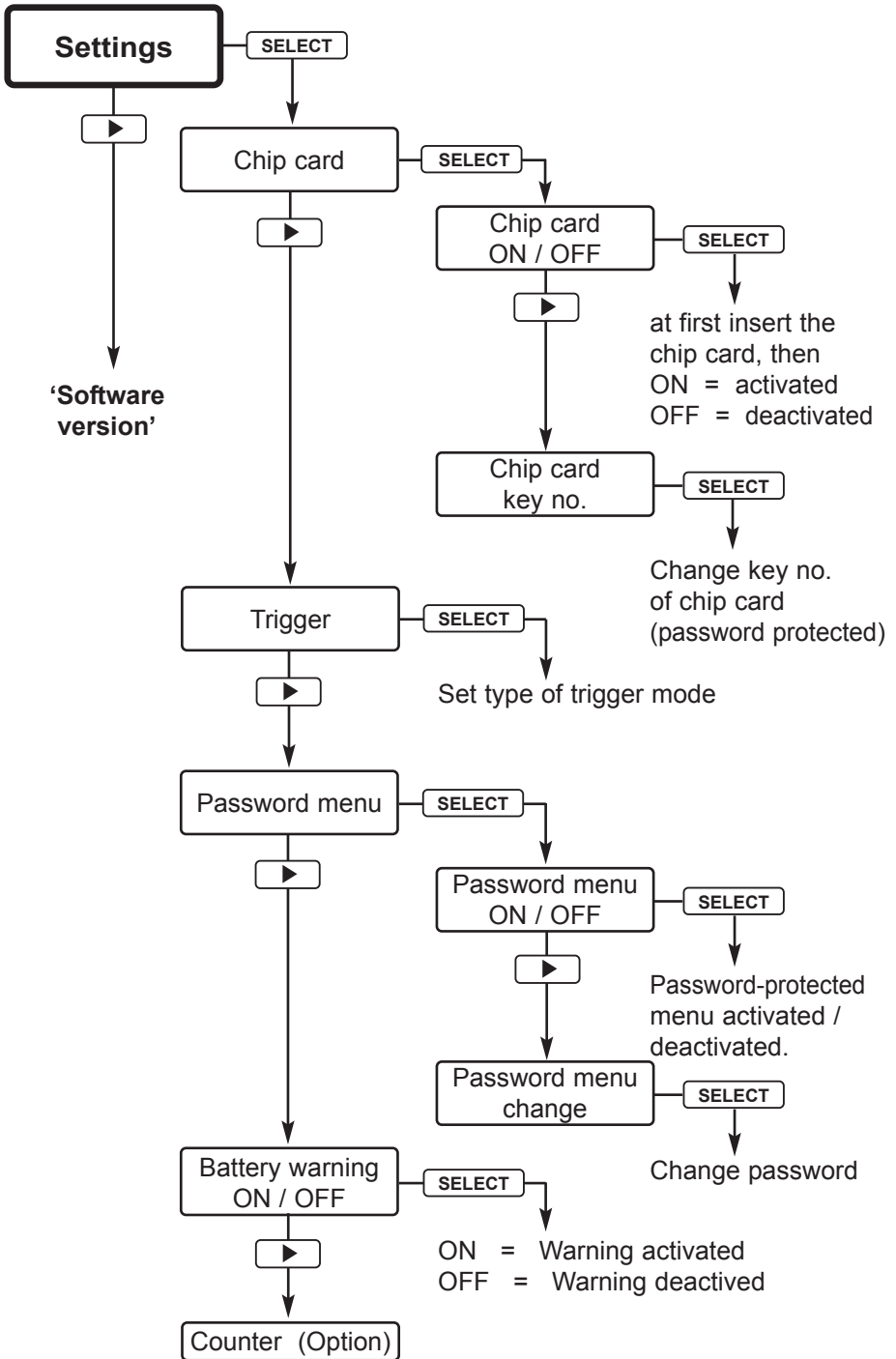
Menu item Settings



Note

- Chipcard**
- ON / OFF
 - ON = chipcard activated
 - OFF = chipcard deactivated
 - Change chip card key number.
This menu item is password-protected.
Only the responsible dealer has access to it.
- Trigger**
- Setting of the trigger mode
There are three different ways of triggering printing:
- Document table only
 - Trip switch only
 - Table or trip switch
- Password menu**
- ON / OFF
 - ON = password protection for menu access is activated
 - OFF = password protection is deactivated
 - Change password Menu
- Battery warning**
- ON / OFF
 - ON = A warning appears in the display when the batteries are too low or empty.
This warning appears once a day.
 - OFF = Warning deactivated
- Counter (Option)**
- Displayable counter of printed documents

^



Chip card functions



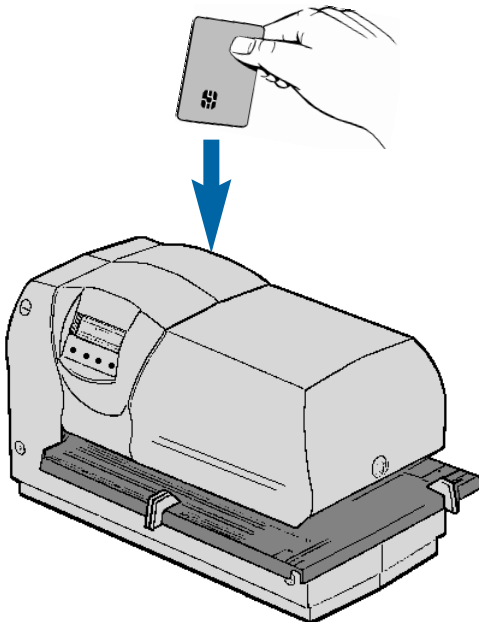
Note

By using programmable REINER chip cards, the following functions are also available on the machine:

- Key function
- Key function + Print supplementary operator identification
- Key function + Individual imprint on the chipcard
- Key function + Individual imprint + supplementary operator identification

To use these functions, the chipcard function must be activated in the menu (see page 38, 39).

Insert the chipcard vertically into the card slot until it latches; the chip must be on the side towards the operator.
The imprint on the card will now appear in the display.



Key function

- Once the chipcard function has been activated, the machine will only print when a chipcard is inserted.
If there is no chipcard in the machine, the display will show **Insert chipcard** .
- 'Password Menu' should be activated to prevent deactivation of the chipcard by unauthorized persons

Operator identification on the chip card

- A user code stored on the chipcard can be stamped at the end of an imprint stored **in the machine**, or with an individual imprint stored **on the chipcard**.
To make this possible, the chipcard function must be activated (see menu 'Settings / Chipcard', pages 38, 39) and the desired number of the imprint must be entered.
After introducing a chipcard, the stamping operation can be triggered.
- The maximum width of an imprint is 60 mm, i.e. the user code cannot be stamped with all imprints (see pages 22 ... 26, 'Stored imprints')

Example of imprint:

123456 15.10.07 08:45 BSP ← Operator identification

Individual imprint on the chipcard

To use an individual imprint stored on the chipcard, the following conditions must be fulfilled:

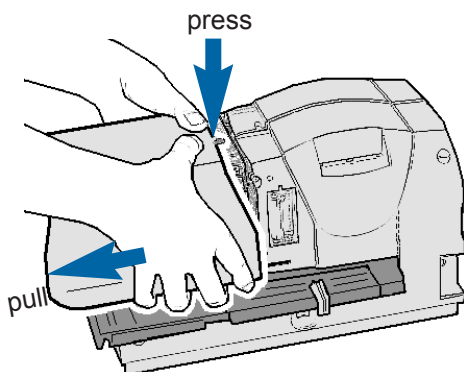
- The chipcard must be activated (see pages 38, 39)
- Imprint No. 0 must be selected (see page 22)

Changing the ink - ribbon cassette



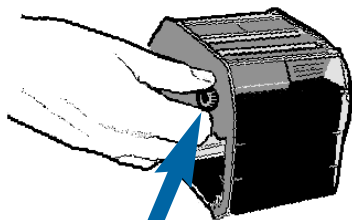
Note

Changing the ink-ribbon cassette is necessary when the imprint of the printing plate or dot-matrix imprint is faint or incomplete.



► Remove the cover

Grasp the cover with both hands and press down on the centre of it with both thumbs to unlatch it. Draw the cover towards you and remove it.



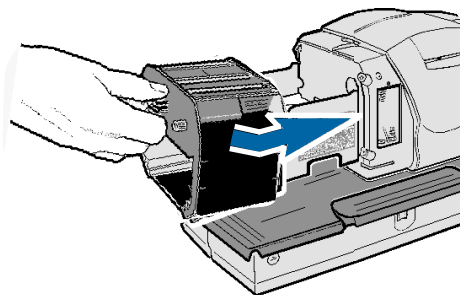
► Tension the new ink ribbon

Turn the knurled knob about one turn in the direction of the arrow (anti-clockwise)



► Insert the ink-ribbon cassette

Hold the ink-ribbon cassette by the ribbed grip tab, place it, slightly tilted, on the guide, and push in the direction of the arrow until it reaches its stop.



► Replace the cover

Changing the printing plate

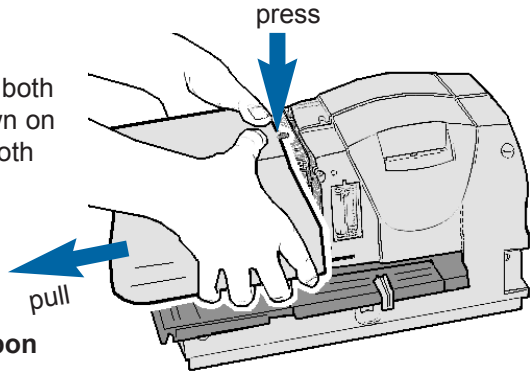


Note

- With a few simple operations a different printing plate can be fitted
- Nach einem Wechsel der Druckplatte kann es notwendig werden, die Druckrolle neu zu justieren. Setzen Sie sich bitte mit Ihrem Fachhändler in Verbindung

► Remove the cover

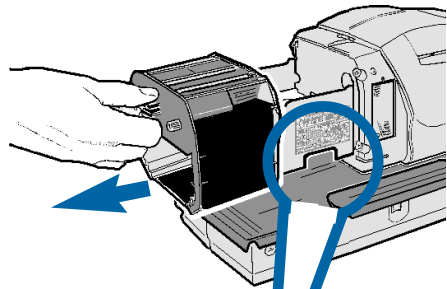
Grasp the cover with both hands and press down on the centre of it with both thumbs to unlatch it and take the cover



► Remove the ink-ribbon cassette

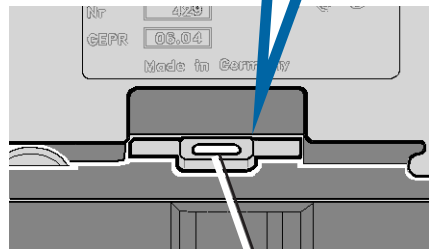
► Remove the printing plate

Use the grip (1) to pull out the printing plate



► Insert the printing plate

Hold the grip (1) and push the printing plate to its stop



► Insert the ink-ribbon

► Replace the cover

1

Safety lock of the printing plate



Note

The application of the optional available safety lock (Order no. 736 071 - 000) prevents an unauthorized removing of the printing plate

- ▶ **Remove the cover** see page 42

- ▶ **Remove the ink-ribbon cassette** see page 43

- ▶ **Put in or remove the safety lock**

The safety lock is accessible at the rear side of the machine (see figure A)

Installation: Take the safety lock with the key, put it in the socket joint, turn the key to the right and replace it (see figure B)

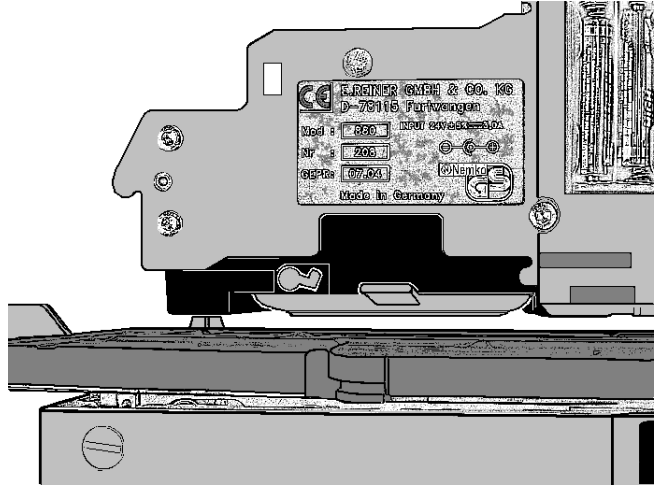
Removal: Put in the key to the safety lock. Turn the key to the right and pull it out (see figure B)

- ▶ **Replace the ink-ribbon cassette** see page 42

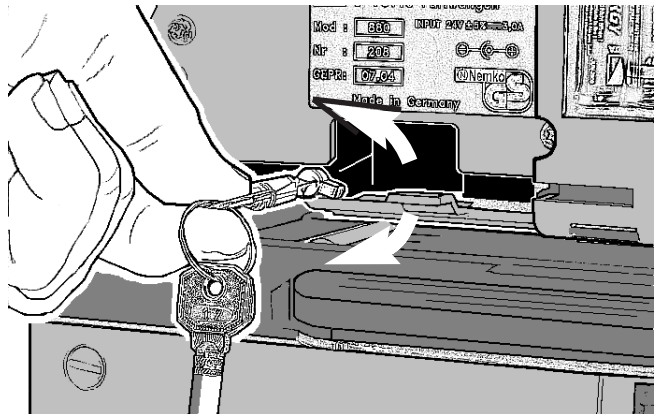
- ▶ **Replace the cover** see page 9

Rear side of the machine

A



B



USB interface



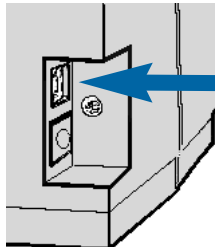
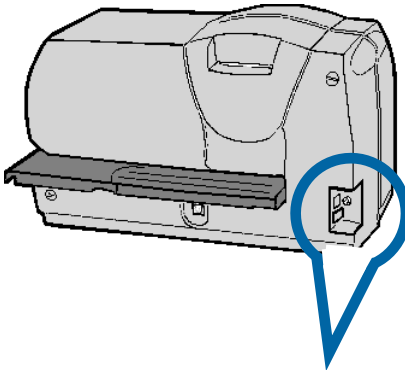
Note

- The USB interface (Version 1.1) enables the machine to be connected to a PC.
- The connection can also be used as a printer interface. Data can be taken from an application program, transmitted to the REINER 880, and be printed directly by the latter.
- An interface description for writing an application program is available from REINER .



Warning

Electrostatic discharge at the interface connection can cause problems with the machine and malfunctioning.



**USB
interface**

Cleaning the machine

Cleaning of the casing



Warning

The casing parts are varnished.
To clean them, do not use abrasive cleaners or cleaning agents that dissolve plastic.
Take care that no liquid gets inside the machine.



Note

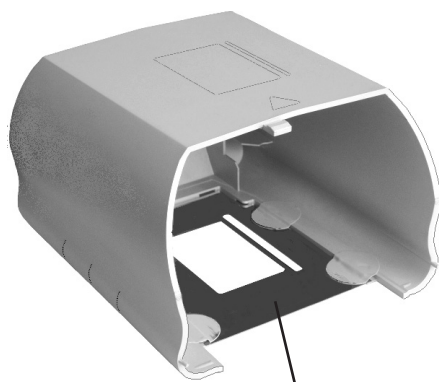
The surface of the casing of the machine can be cleaned with a soft cloth.
For more resistant soiling, the cloth can be moistened with water and a mild washing-up liquid.

Cleaning of the printing plate

Hard soilings on the printing plate is mostly caused by ink. Soiled printing plate fails the imprint, it may block the ink ribbon cassette and by this means that it may cause a failure of the machine

Cleaning of the ink - ribbon mask

- ▶ Remove the cover
- ▶ Place the cover on a stable supporting surface
- ▶ Clean the metal ink-ribbon mask from inside the cover with a soft cloth.
For more resistant soiling, the cloth can be moistened with water and a mild washing-up liquid.
- ▶ Replace the cover



Ink-ribbon mask

User's hints and error codes

Display	Cause	Remedy
Batteries empty Change batteries	Batteries are empty or Battery-voltage too low	<ul style="list-style-type: none"> • Fit new batteries • press [OK] message appears only once a day
Battery compartment empty	Battery compartment is empty Batteries wrong inserted Batteries don't touch the contact areas	<ul style="list-style-type: none"> • insert batteries • check the poles of the batteries and insert it repeatedly • connect batteries with contact areas
Insert chipcard	Chipcard not inserted completely or put in the wrong way round	Insert chipcard correctly or reinsert it the right way round
Display is dark	880 is not connected to mains	Connect 880 to mains
Line 2 of chipcard is ignored	880 cannot use second chip card line	Press [OK], only line 1 will be used
Warning 02 Imprint empty	Selected imprint number is not valid	Select valid imprint
Warning 04 EEPROM error	EEPROM error	Press [OK], if necessary inform dealer or Technical Service
Warning 08 Imprint too wide	Imprint exceeds 60 mm maximum width	Press [OK], then shorten imprint (switch off pre-text)

Display	Cause	Remedy
Warning 10 Print operation	Print operation not completed Ink ribbon cassette hard moving	Press [OK], check ink-ribbon cassette, replace if necessary
Warning 11 Step > 10	Numbering device 1: step is greater than or equal to 10, but numbering device of imprint is single digit	Press [OK], then select a step less than 10 using the menu
Warning 12 Step > 10	Numbering device 2: step is more than or equal to 10, but numbering device of imprint is single digit	Press [OK], then select a step less than 10 using the menu
Warning 15 Change chipcard	Chipcard incorrectly inserted into chipcard reader or chipcard is invalid	Insert chipcard correctly or use valid chipcard
Warning 16 Not Reiner PIN	Not a REINER chipcard	Use a REINER chipcard
Warning 17 Key error	Key number of chipcard does not agree with machine setting	Correct key number of chipcard or change pre-setting
Warning 18 Data not ok	Chipcard data are not plausible	Possibly reading error, introduce chipcard again
Warning 21 Prog. no. > 0 not ok	Chipcard has imprint number above 0	Enter imprint number 0 on chipcard

Reset



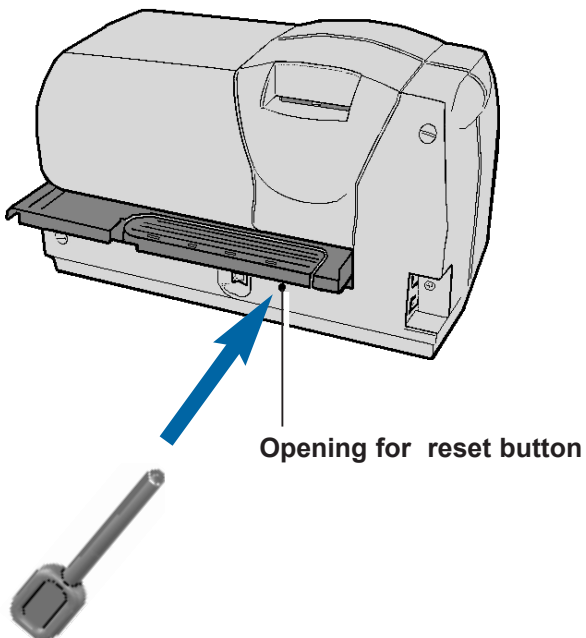
Note

Use the reset button when 880 is in an undefined condition, or if there are incomprehensible symbols in the display.

Resetting the machine restarts its program.
The reset puts it into a defined condition again.

Resetting

- ▶ Use the reset pin; this is included in the 'Depth-Stop Contact Accessory Set' (see page 5)
- ▶ Insert the reset pin in the opening at the rear of the machine and operate the reset button there



Technical data

Dimensions (W x D x H in mm)	336 x 166 x 198
Weight	approx. 6,9 Kg
Printing system	9 - pin dot matrix print head and Roller printer
Ink ribbon capacity	approx. 800.000 characters approx. 16.000 imprints (with text plate)
Stamping time Stamping sequence	approx. 0,6 second max. 1,2 second
Ambient temperature for operation	+ 10° C ... + 40° C down to - 8° C may be possible
Temper. for transport and storage	- 40° C ... + 70° C
Humidity for operation	30% ... 70% relative humidity
Humidity for transport and storage	10% ... 90% relative humidity
Power supply	via mains unit supplied Protection Class II
Input to power supply	100 ... 240 V ~ / 50 ... 60 Hz / 1,5 A AC
Output from power supply	24 V DC / 3,0 A
Noise level	< 70 dB(A) (workplace-related emissions to ISO 7779)

Certifications



Tested safety

Reiner 880 is manufactured to the safety standard EN 60950 - 1



Marking

Reiner 880 complies with EC directive 2004 / 108 / EG 'Electromagnetic compatibility'



Electro- and electronic appliances are off the point of domestic waste or residual waste.



Used batteries are off the point of domestic waste or residual waste. They have to be disposed of corresponding ordinances.

REINER

Ernst REINER GmbH & Co. KG
Baumannstr. 16
D - 78120 Furtwangen

Phone	+49 7723 6570
Fax	+49 7723 657 200
E - Mail	reiner@reiner.de
Internet	www.reiner.de